

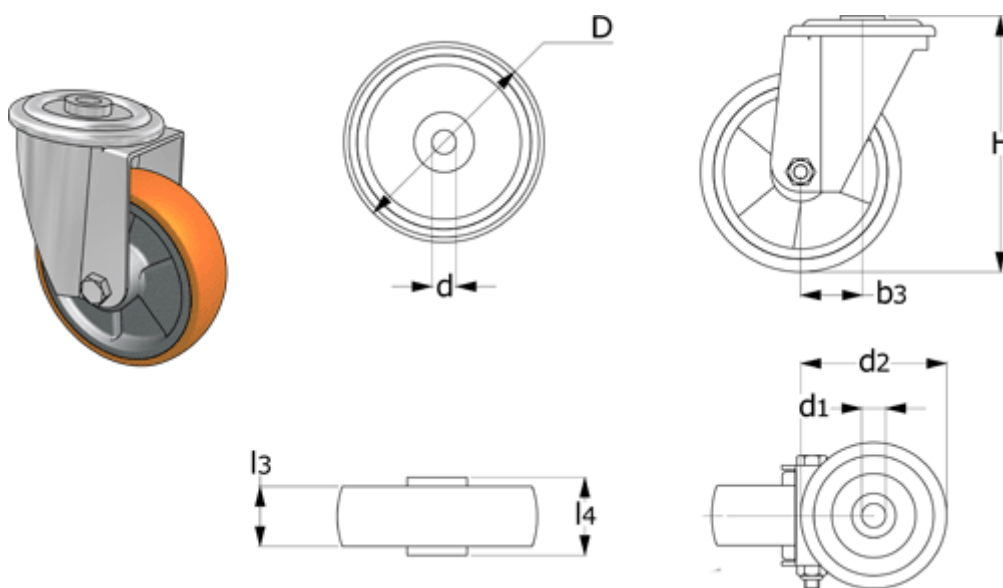
Data Sheet



Article number: 2314451851

Description: E+G Aluminium wheel 451851
RE.F5-080-FSL turning plate wo/brake

Measures



b3	= 39
Code	= 451851
d	= 12
D	= 80
d1	= 73
d2	= 12
Dynamic load (N)	= 2000
H	= 107

l3	= 25
l4	= 30
Rolling resistance (N)	= 1500
Type	= RE.F5-080-FSL
Weight (g)	= 650